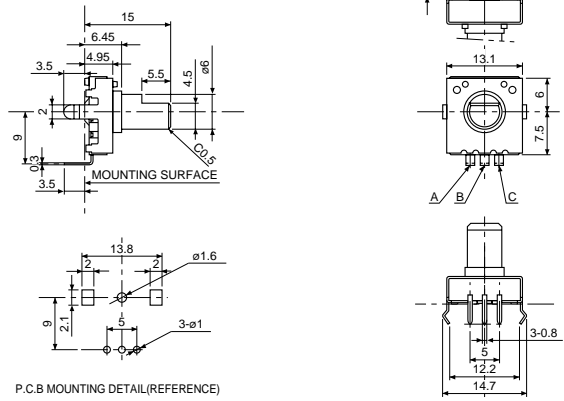


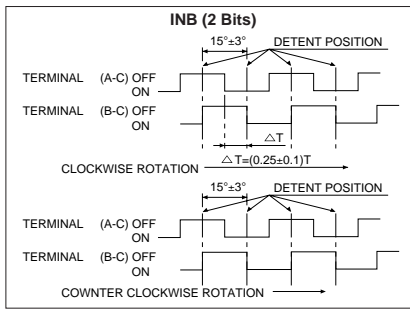
Rotary Encoders RE Series

RE0131PVB

(Insulated Shaft)
(Bracket Type)

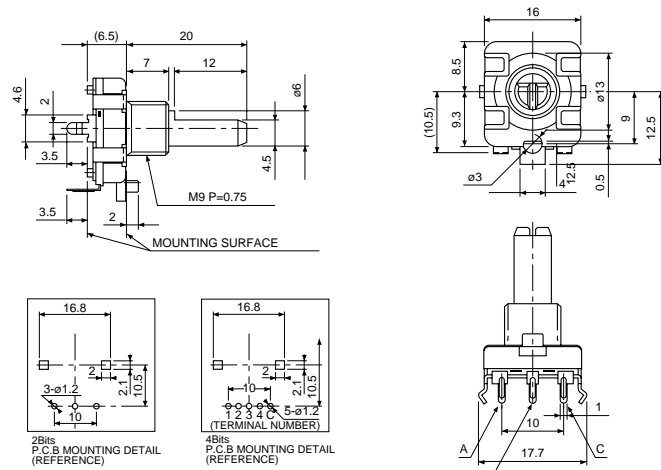
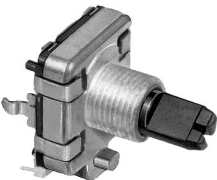


INCREMENTAL OUTPUT SIGNAL (for RE0131)

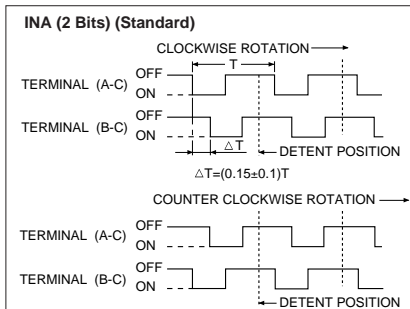


REB161PVB

(Insulated Shaft)

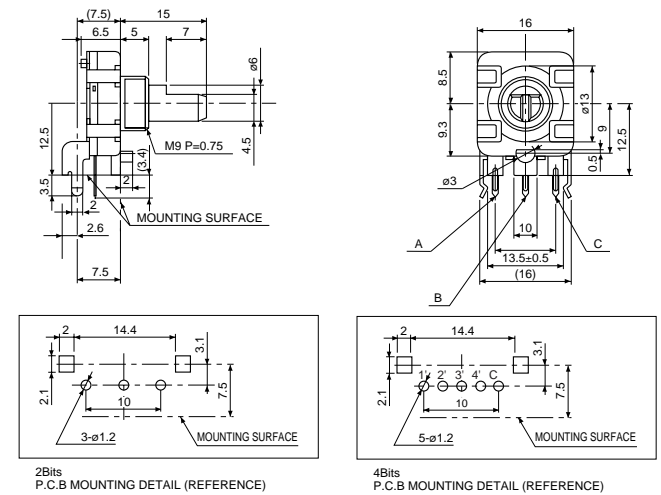


INCREMENTAL OUTPUT SIGNAL (for REB161)



REB161PHD

(Insulated Shaft)



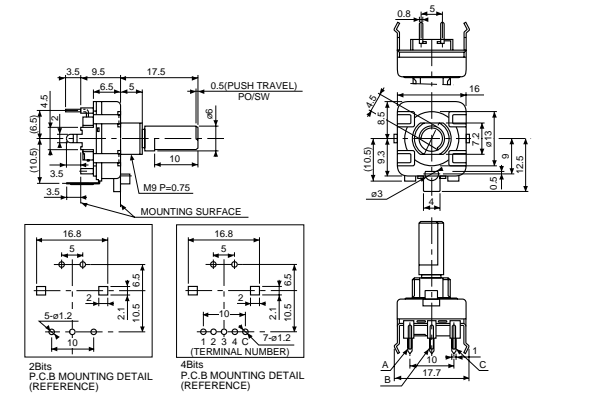
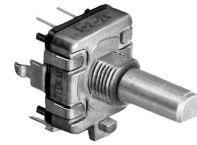
SPECIFICATIONS

	RE0131	REB161	REB161
Type of Output Signal	INB (2 Bits)	INA, INB (2 Bits)	INA, INB (2 Bits) GRY (4 Bits)
Operating Temperature Range	-10 to 70°C	-10 to 70°C	-10 to 70°C
Rated Voltage/Rated Current	DC 5V 0.5mA	DC 5V 0.5mA	DC 5V 0.5mA DC 12V 4mA
Resolution	12 Pulses/360°	24 Pulses/360°	24 Pulses/360° 4Bits 16 Pulses/360°
Total Rotational Angle	360° Endless	360° Endless	360° Endless 360° Endless
Detent Position and Angle	24 Detents 15±3°	24 Detents 15±3°	24 Detents 15±3° 16 Detents 22.5±3°
Detent Torque	1.5 to 15 mN·m	3 to 20 mN·m	3 to 20 mN·m
Rotational Life	50,000 cycles	100,000 (INA) cycles 50,000 (INB) cycles	100,000 (INA) cycles 50,000 (INB) cycles 50,000 (INA) cycles

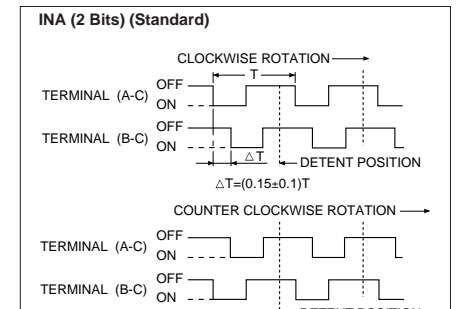
Rotary Encoders RE Series

REB162PVBS

(With Push-Momentary Switch)

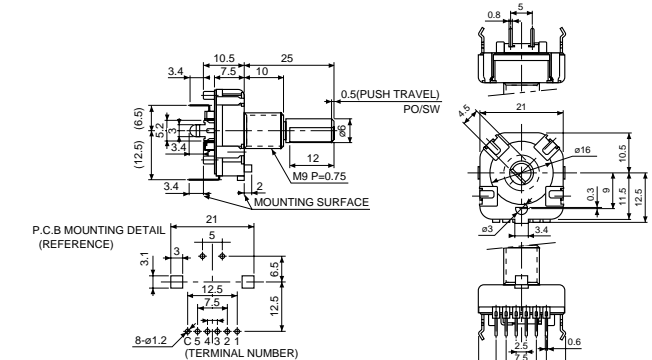
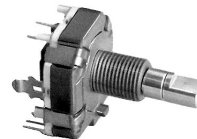


INCREMENTAL OUTPUT SIGNAL (For REB162)



REB202PVBS

(With Push-Momentary Switch)

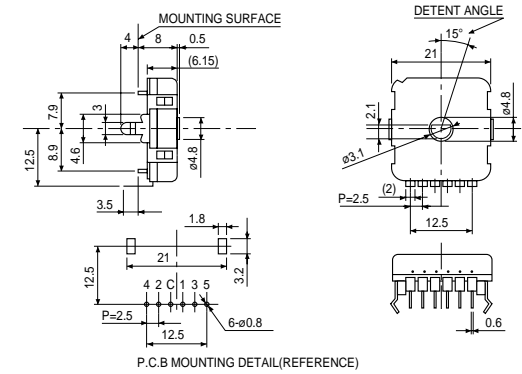


Specification of Push-Momentary Switch (For REB162, REB202)

Circuit	SPST
Rated Voltage/Rated Current	DC 16V 20mA
Contact Resistance	100mΩ max.
Insulation Resistance	10MΩ min. at DC 100V
Withstand Voltage	AC 100V for 1 minute
Push Travel	0.5mm
Operating Force	5 ± 1.5 N
Operational Life	10,000 actuations

RE0201PVB

(Shaft-less)



OUTPUT SIGNAL (Pulse Type) GRAY CODE (For REB162, RE0201, REB202)

Position	1	2	3	4	5	6	7	8	9	10	11	12	13	14	15	16	17	18	19	20	21	22	23	24	25	26	27	28	29	30	31	32
Terminal Number	○	○	○	○	○	○	○	○	○	○	○	○	○	○	○	○	○	○	○	○	○	○	○	○	○	○	○	○	○	○	○	○

○=ON

Terminal Number C=Common

*1, *2: GRAY code for REB162 and REB202 start at the position number 2.

SPECIFICATIONS

	REB162	RE0201	REB202
Type of Output Signal	INA, INB (2 Bits)	GRAY *1 (4 Bits)	GRAY *2 (5 Bits)
Operating Temperature Range	-30 to 80°C	-30 to 80°C	-30 to 80°C
Rated Voltage/Rated Current	DC 5V 0.5mA	DC 12V 4mA	DC 12V 10mA
Resolution	24 Pulses/360°	15 Positions/300°	24 Positions/360°
Total Rotational Angle	360° Endless	300±5°	360° Endless
Detent Position and Angle	24 Detents 15±3°	15 Detents 21.4±5°	24 Detents 15±3°
Detent Torque	5 to 25 mN·m	5 to 25 mN·m	10 to 30 mN·m
Rotational Life	50,000 cycles	30,000 cycles	10,000 cycles