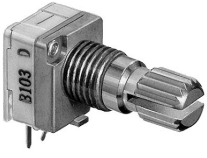
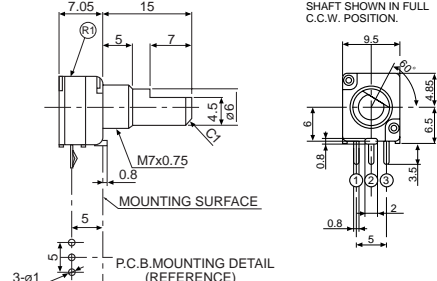
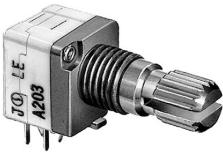
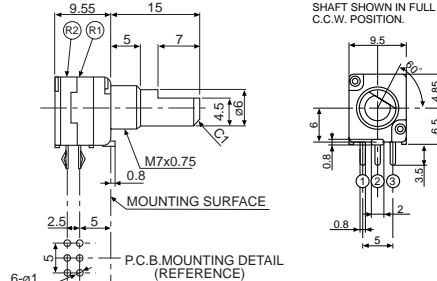
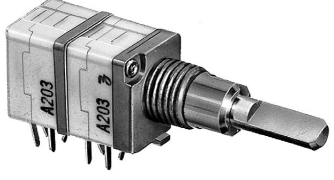
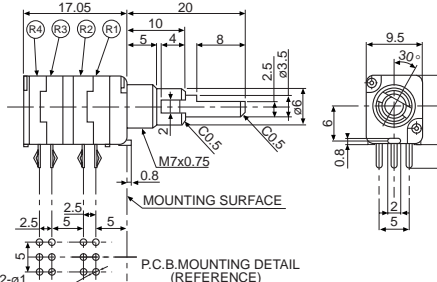
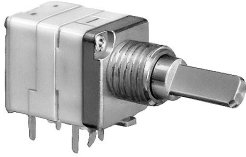
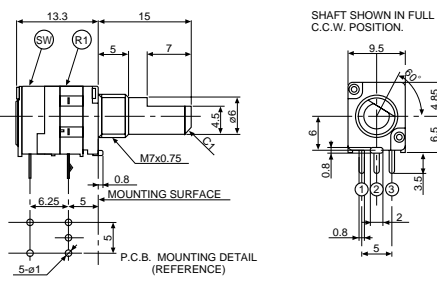
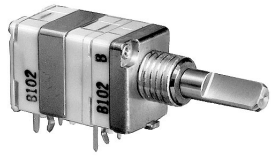
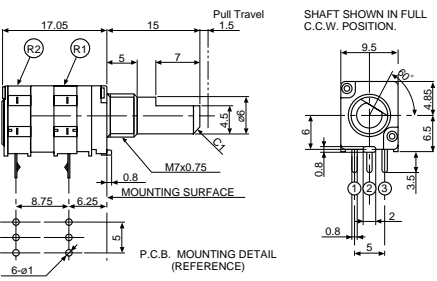

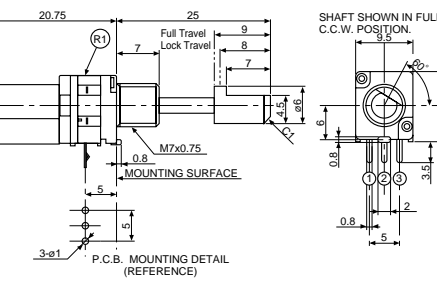


Multi-Section Potentiometer for Car-Audio

XVB93 Series

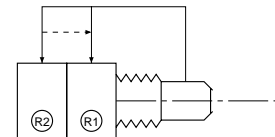
<p>XVB93PHPN</p> <p>Single-Element</p> 	 <p>SHAFT SHOWN IN FULL C.C.W. POSITION.</p> <p>MOUNTING SURFACE</p> <p>P.C.B. MOUNTING DETAIL (REFERENCE)</p>
<p>XVB93GPHPN</p> <p>Dual-Element</p> 	 <p>SHAFT SHOWN IN FULL C.C.W. POSITION.</p> <p>MOUNTING SURFACE</p> <p>P.C.B. MOUNTING DETAIL (REFERENCE)</p>
<p>XVB93DG4PHPN</p> <p>Dual Concentric Shaft (Dual-Element) × 2</p> 	 <p>SHAFT SHOWN IN FULL C.C.W. POSITION.</p> <p>MOUNTING SURFACE</p> <p>P.C.B. MOUNTING DETAIL (REFERENCE)</p>
<p>XVB93S (97ST)</p> <p>with Rotary Switch</p> 	 <p>SHAFT SHOWN IN FULL C.C.W. POSITION.</p> <p>MOUNTING SURFACE</p> <p>P.C.B. MOUNTING DETAIL (REFERENCE)</p>
<p>XVB93M3-5N</p> 	 <p>SHAFT SHOWN IN FULL C.C.W. POSITION.</p> <p>MOUNTING SURFACE</p> <p>P.C.B. MOUNTING DETAIL (REFERENCE)</p>
<p>XVB93M1N</p> 	 <p>SHAFT SHOWN IN FULL C.C.W. POSITION.</p> <p>MOUNTING SURFACE</p> <p>P.C.B. MOUNTING DETAIL (REFERENCE)</p>

SPECIFICATIONS

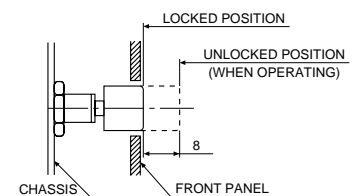
Total Rotational Angle	300±5°
Rotational Torque	Single Shaft Type : 2 to 15 mN·m Dual-Shaft (Inner) Type : 2 to 15 mN·m Dual-Shaft (Outer) Type : 2 to 20 mN·m
Nominal Total Resistance	20kΩ, 50kΩ, 100kΩ
Resistance Tolerance	Within±20% of the nominal total resistance
Resistance Taper	1B, 3B, 3BM, 15A, 15AM
Rated Power	0.05W
Maximum Rated Voltage	AC50V, DC10V

Switch Rating: DC16V 3A
(SPST)

- (R1) : Pull Position Control
- (R2) : Normal-Position Control



Push-Lock mechanism



• Specifications in this catalog are presented basically for informative purposes.
We request the exchange of official approval drawings before placing order.